

# Halogen FastFit

7021G/LL 575W 115V FastFit 1CT



Halogen FastFit lamps are replaced in seconds - thanks to the specially designed base. The compact filament ensures high beam intensity, while the shock-resistant design allows easy handling and reliable use in moving head systems. In addition, the highly innovative P3 technology allows use at higher temperatures, which further extends lifetime and consistency of light output. P3 technology also allows the lamp to be used in any burning position and enables more compact designs of fixtures. And because the FastFit design is also applied to Philips MSR/MSD Gold™ lamps, switching lamp technologies is also quick and easy.

## Product data

### • General Characteristics

Philips Code	7021G/LL
ANSI Code	NPA
System Description	P3 Technology
Cap-Base	PGJX50
Bulb Finish	Clear
Filament Shape	Bi-Plane
Operating Position	any
Main Application	Entertainment
Life to 50% failures	1500 hr

### • Light Technical Characteristics

Color Temperature	3000 K
Technical	
Luminous Flux Lamp	12400 Lm

### • Electrical Characteristics

Watts	575 W
Voltage	115 V
Dimmable	Yes
Rapid Acting HBC	6.3 V
Fuse	

### • Luminaire Design Requirements

Pinch Temperature	480 (max) C
-------------------	-------------

### • Product Dimensions

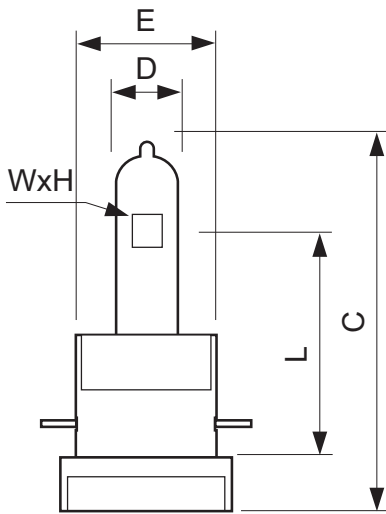
Overall Length C	140 (max) mm
Diameter D	19 (max) mm
Overall Width E	41 (max) mm
Light Center Length L	79 mm
Filament Dimensions (WxH) [mm]	9 X 9.5
Filament Height H	9.5 mm
Filament Length W	9 mm

### • Product Data

Product number	271668
Full product name	7021G/LL 575W 115V FastFit 1CT
Short product name	GRS 575/115 Fast Fit
Pieces per Sku	1
eop_pck_cfg	10
Skus/Case	10
Bar code on pack	8727900938845
Bar code on case	8727900938852
Logistics code(s)	924582834428
eop_net_weight_pp	130.000 gr

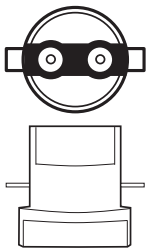
## Dimensional drawing

## Dimensional drawing



## Halogen FastFit

Product	C (Max)	D (Max)	E (Max)	H (Norm)	L (Norm)	W (Norm)
7021G/LL 575W PGJX50 115V FastFit	140	19	41	9.5	79	9



PGJX50



© 2012 Koninklijke Philips Electronics N.V.  
All rights reserved.

Specifications are subject to change without notice. Trademarks are the property of Koninklijke Philips Electronics N.V. or their respective owners.

[www.philips.com/lighting](http://www.philips.com/lighting)

2012, April 16  
data subject to change